



TRUCHECK™ 2



IKEMA spol. s.r.o. tel.: +421 (2) 4599 4876  
 Tabaková 2 e-mail: ikema@ikema.sk  
 900 27 Bernolákovo www.ikema.sk  
 SLOVAKIA

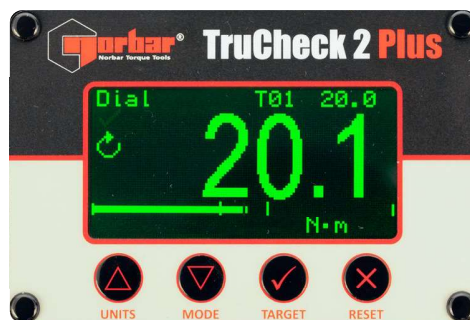


This cost-effective torque wrench checker has been redesigned to incorporate improved features whilst maintaining ease of use. The TruCheck™ 2 aims to cut the cost of purchasing a torque wrench checking system and remove the fears over the complexity of using such equipment.

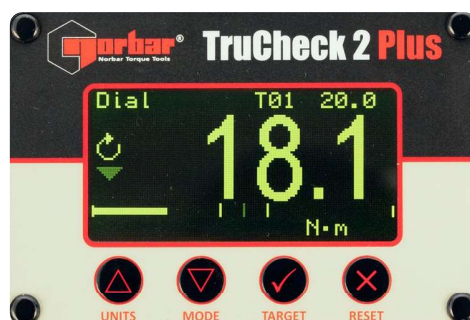
- Enables torque wrench performance to be monitored as part of your strategy to keep wrenches in peak condition
- LCD display with clear target indication from colour changing display (Plus version only). Visible in poorly lit work areas.
- Two versions, TruCheck™ 2 and TruCheck™ 2 Plus available
- 'Basic' version has limited settable options. Ideal for non-expert users with click type torque wrenches
- TruCheck™ 2 Plus allows a selection of torque units, three modes of operation (Click, Dial and Track), the ability to store up to 15 targets and select from 12 languages
- Plus version allows operator to set a target value and tolerance
- ±1% of reading accuracy (±2% when below 10% of range for the 10 N·m and 1,100 N·m TruCheck™ 2 model)
- Inbuilt Micro USB 2.0 port enables power from any USB power source. Plus version allows for both power and data transfer simultaneously
- Supplied with traceable calibration certificate in clockwise direction. A counter-clockwise calibration is available at additional cost
- Software can be updated remotely, without the need to return the product to Norbar



TruCheck™ 2 Plus display showing above target tolerance



TruCheck™ 2 Plus display showing within target tolerance



TruCheck™ 2 Plus display showing below target tolerance





# TORQUE MEASUREMENT

## TRUCHECK™ 2 (0.1 - 30 N·m)



*TruCheck™ 2 Plus 3 N·m*



*TruCheck™ 2 with Torque Screwdriver (not included)*

4	TRUCHECK 2 (0.1 - 30 N·m)
43514*	TruCheck 2, 0.1 - 3 N·m
43515*	TruCheck 2 Plus, 0.1 - 3 N·m
43516*	TruCheck 2, 0.5 - 10 N·m
43517*	TruCheck 2 Plus, 0.5 - 10 N·m
43518*	TruCheck 2, 1.5 - 30 N·m
43563*	TruCheck 2 Plus, 1.5 - 30 N·m

\* 43514, 43515, 43516 and 43517 supplied with ¼" male hexagon and ¼" female sq. dr. adapter

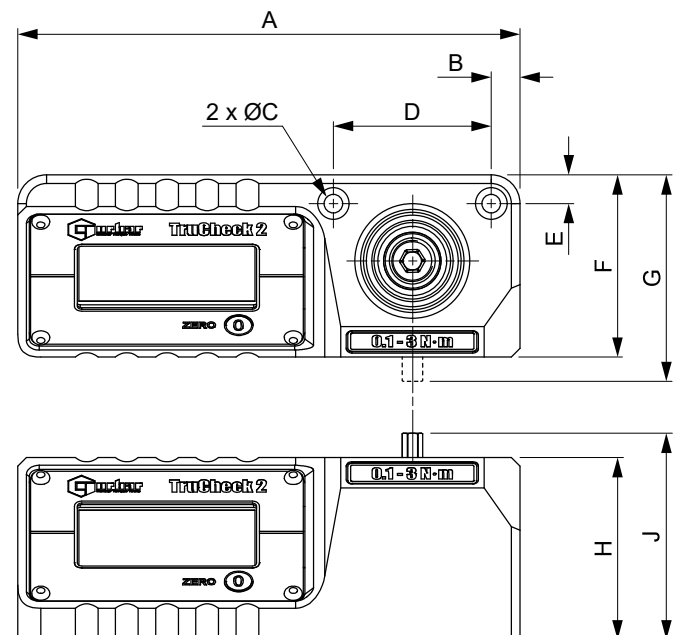
+ 43518 and 43563 supplied with 10 mm male hexagon, ¼" and ⅜" female sq. dr. adapter

12	
TCACC.CW	UKAS accredited calibration all sizes- clockwise
TCACC.	UKAS accredited calibration all sizes- clockwise and counter-clockwise
CW+CCW	

NOTE: If you order a UKAS accredited calibration, this certificate will be provided in place of the traceable calibration certificate and over the operating range as indicated on the device.

NOTE: For applicable Joint Simulators please refer to the FMT (Ancillary Section) on page 91.

Model	TruCheck 2/Plus 0.1 - 3.0 N·m 0.5 - 10 N·m	TruCheck 2/Plus 1.5 - 30 N·m
Part Number	43514, 43515, 43516, 43517	43518, 43563
Range	0.1 - 3.0 N·m 0.5 - 10 N·m	1.5 - 30 N·m
In-Built Transducer Male Hex Drive Size	¼"	10 mm
Dimensions (mm)	A	175
	B	10
	∅C	6.5
	D	55
	E	10
	F	64
	G	N/A
Weight (kg)	H	64
	J	72
		N/A
	1.4	1.4



NOTE: The male hexagon on the 3 N·m and 10 N·m models is vertically aligned. The 30 N·m model male hexagon is horizontally aligned.



TRUCHECK™ 2 (3 - 2,100 N·m)



4	TRUCHECK 2 (3 - 2,100 N·m)
43520*	TruCheck 2, 3 - 65 N·m
43521*	TruCheck 2 Plus, 3 - 65 N·m
43522*	TruCheck 2, 10 - 260 lbf·ft
43523*	TruCheck 2 Plus, 10 - 260 lbf·ft
43524*	TruCheck 2, 10 - 350 N·m
43525*	TruCheck 2 Plus, 10 - 350 N·m
43528®	TruCheck 2, 40 - 800 lbf·ft
43529®	TruCheck 2 Plus, 40 - 800 lbf·ft
43530®	TruCheck 2, 50 - 1,100 N·m
43531®	TruCheck 2 Plus, 50 - 1,100 N·m
43532^	TruCheck 2, 200 - 2,100 N·m
43533^	TruCheck 2 Plus, 200 - 2,100 N·m
29191	3/4" sq. dr. adapter for 27 mm male hexagon
29403	1" sq. dr. adapter for 27 mm male hexagon

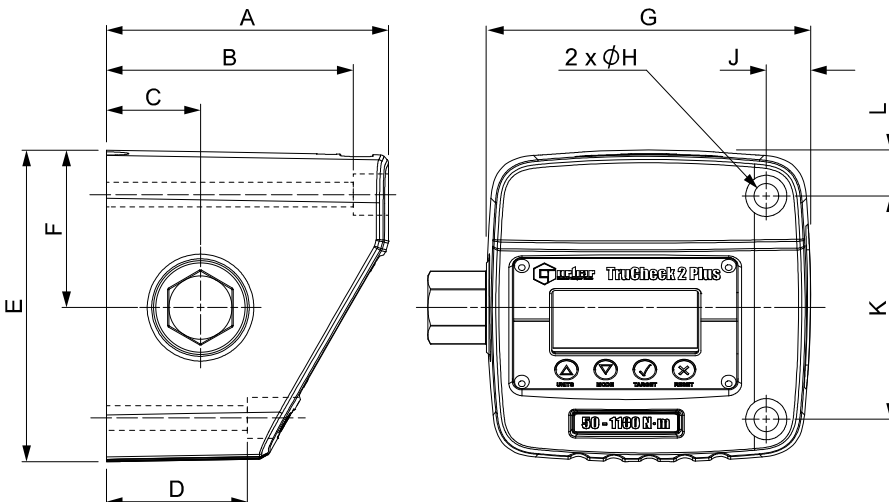
\* 43520 and 43521 supplied with 3/8" female square drive  
 + 43522, 43523, 43524 and 43525 supplied with 1/2" female square drive  
 ® 43528, 43529, 43530 and 43531 supplied with 27 mm male hexagon plus 3/4" female sq. dr. adapter  
 ^ 43532 and 43533 supplied with 27 mm male hexagon plus 1" female sq. dr. adapter.

12	
TCACC.CW	UKAS accredited calibration all sizes - clockwise
TCACC. CW+CCW	UKAS accredited calibration all sizes - clockwise and counter-clockwise

NOTE: If you order a UKAS accredited calibration, this certificate will be provided in place of the traceable calibration certificate and over the operating range as indicated on the device.



TruCheck™ 2 Plus 1100 shown with a Power Tool Test Fixture (not included - see page 9798) allowing for cost-effective checking of power tools



TruCheck™ 2 Plus 1,100 N·m



TruCheck™ 2 Plus 350 N·m

TruCheck™ 2 Report Print Software

The Norbar report print software allows you to test the output of a torque wrench. The software will capture readings from your TruCheck™ 2 instrument and save them in a database and allow you to produce a customised report that can be shared or stored.

Model	TruCheck 2/Plus 3 - 65 N·m 10 - 260 lbf·ft 10 - 350 N·m	TruCheck 2/Plus 40 - 800 lbf·ft 50 - 1,100 N·m 200 - 2,100 N·m
Part Number	43520, 43521, 43522, 43523, 43524, 43525	43528, 43529, 43530, 43531, 43532, 43533
Dimensions (mm)	A	110
	B	95
	C	40
	D	50
	E	117
	F	59
	G	138
	ØH	10.5
	J	19
	K	80



**IKEMA spol. s.r.o.**  
 Tabaková 2  
 900 27 Bernolákovo  
 SLOVAKIA  
 tel.: +421 (2) 4599 4876  
 e-mail: ikema@ikema.sk  
 www.ikema.sk